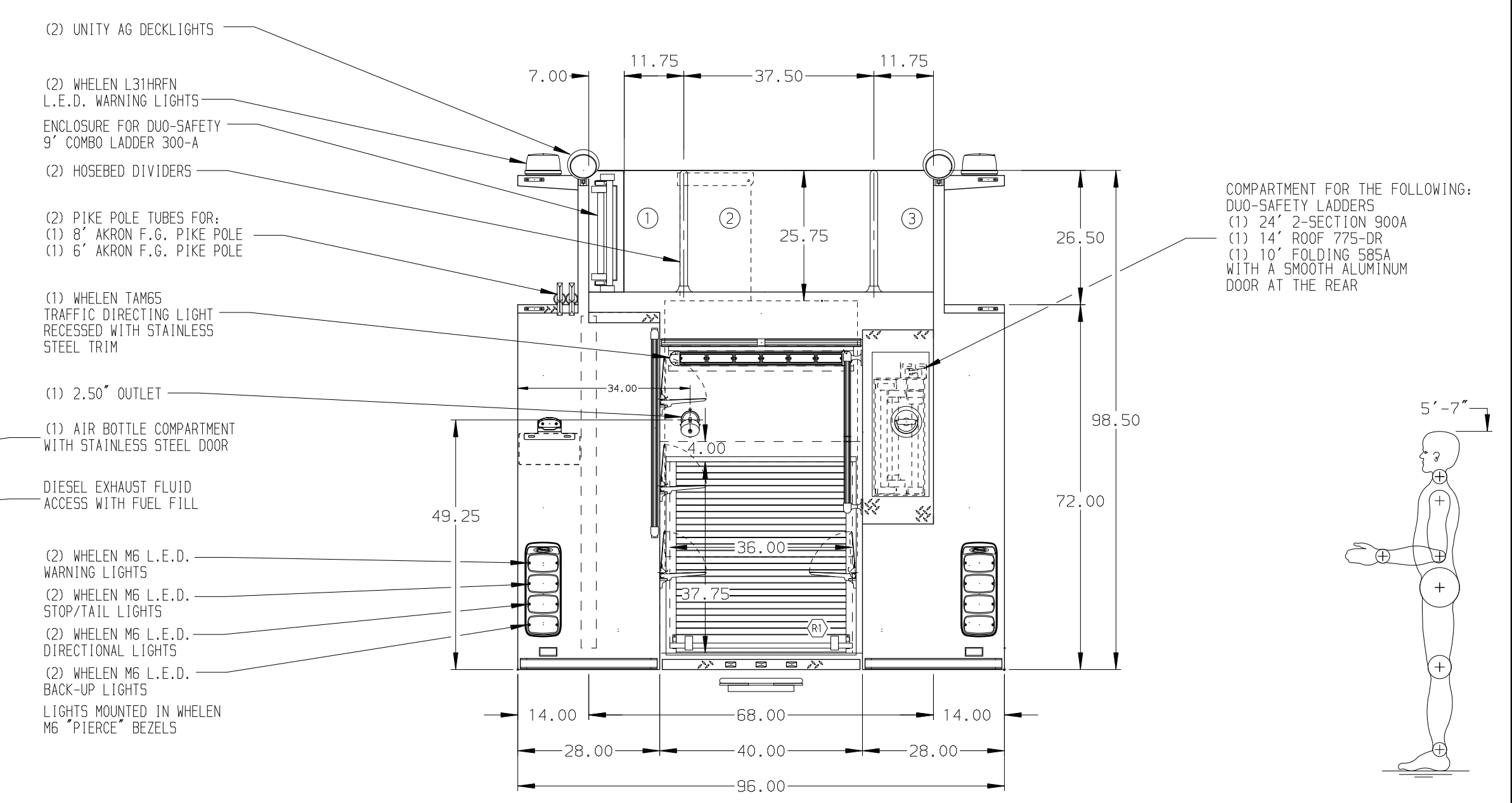


- HOSEBED CAPACITIES
- ① 500' OF 3.00" D.J. POLY HOSE
  - ② 1000' OF 5.00" D.J. POLY HOSE
  - ③ 500' OF 3.00" D.J. POLY HOSE



ALUMINUM BODY

**NOTE**  
DIMENSIONS SHOWN ARE APPROXIMATE AND ARE SUBJECT TO MINOR DEVIATIONS AS MAY OCCUR OR BE NECESSARY IN CONSTRUCTION. MINOR DETAILS NOT SHOWN.

1. 3 PIECE DOOR MOUNTED ANCHOR PLATE FOR NEDERMAN EXHAUST SYSTEM HOSE ON COMPARTMENT ???
2. BATTERY CHARGER LOCATED IN COMPARTMENT D3
3. BATTERY CHARGE INDICATOR LOCATED ON D.S. SEAT RISER
4. ONE FULL WIDTH/DEPTH PAINTED ADJUSTABLE SHELF IN COMPARTMENTS D1, D2, P1, P3, R1, TWO IN D3
5. ONE FLOOR MOUNTED SLIDE-OUT TRAY IN COMPARTMENT P3, R1
6. ALUMINUM SLIDE-OUT TOOLBOARD WITH PEGBOARD PATTERN IN COMPARTMENT P3
7. ONE VERTICAL PARTITION IN COMPARTMENT D3
8. CIRCUIT BREAKER PANEL IN COMPARTMENT D3

CUSTOMER APPROVAL			
APPROVED BY: _____			
DATE: _____			
CHASSIS DATA	TITLE	2000-D-750P, 152", FULL HEIGHT, FULL DEPTH DS, FOLDER PS	
MAKE	FOR	(2) X-LAYS, DELUGE, GENERATOR, CORD REEL	
PIERCE	FOR	CITY OF ROCHESTER HILLS ROCHESTER HILLS, MICHIGAN	
MODEL	DWG NO.	30012AD	
ENFORCER	NO.		

Pierce MANUFACTURING INC.		JOB NO.	30012
SCALE	1:24	DATE	
DRAWN BY	JWO	DATE	08APR16
CHECKED BY	KBO	DATE	13APR16
SHEET SIZE	D	SHEET NO.	1 OF 1