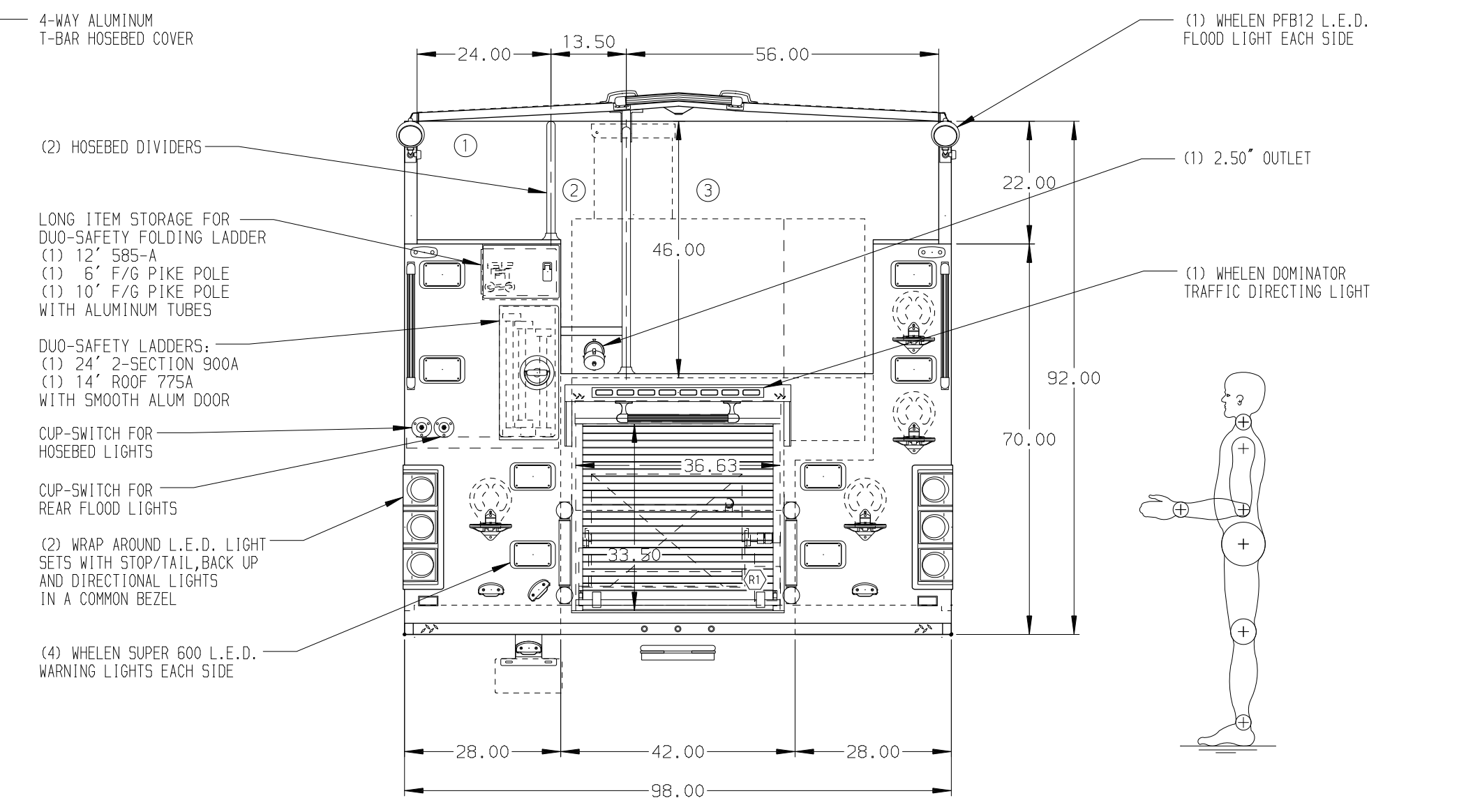
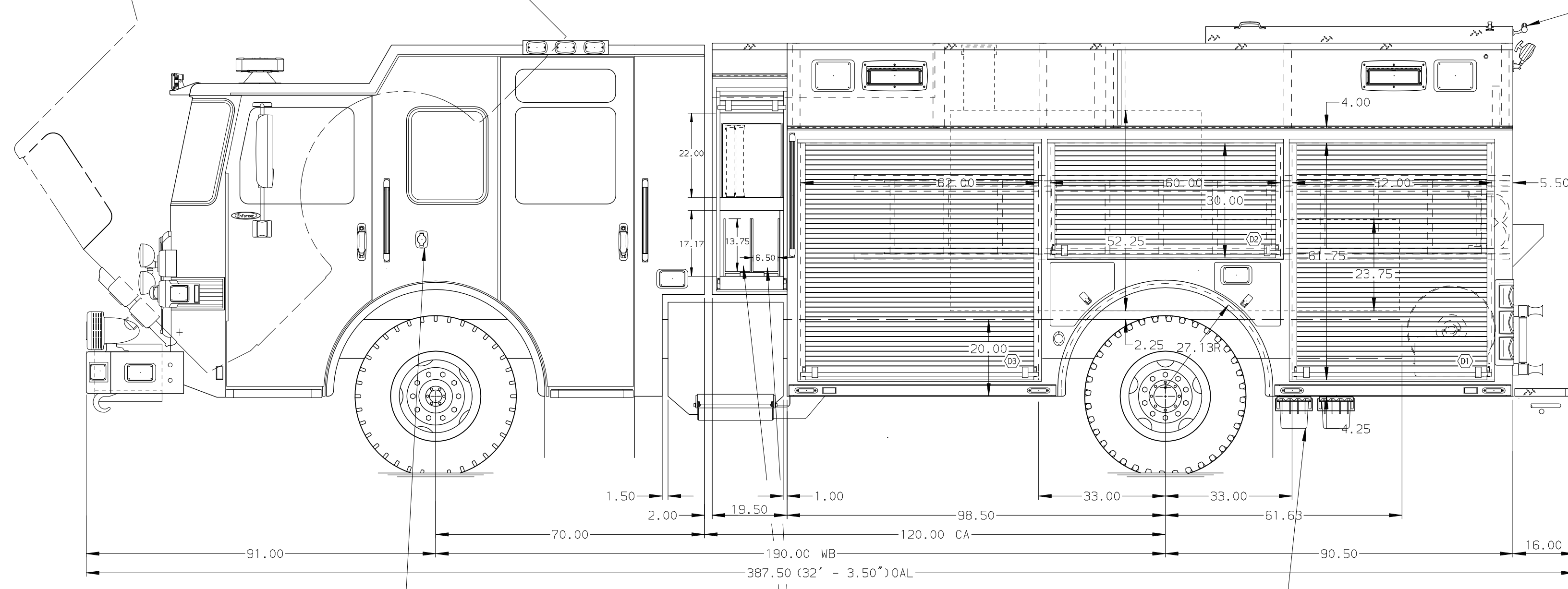


- HOSEBED CAPACITIES**
- ① - 550' OF 2.50" D.J. POLY HOSE
 - 150' OF 1.75" D.J. POLY HOSE ON TOP
 - ② - 450' OF 2.50" D.J. POLY HOSE
 - ③ - 800' OF 5.00" LARGE DIAMETER HOSE



ALUMINUM BODY

NOTE
DIMENSIONS SHOWN ARE APPROXIMATE AND ARE SUBJECT TO MINOR DEVIATIONS AS MAY OCCUR OR BE NECESSARY IN CONSTRUCTION. MINOR DETAILS NOT SHOWN.

1. AIR INLET WITH DISCONNECT COUPLING LOCATED ON DS STEP WELL
2. AIR OUTLET WITH SHUT OFF VALVE LOCATED ON DS & PS PUMP PANEL
3. VOSEL LUBE SYSTEM PUMP LOCATED PER SHOP ORDER
4. KUSSMAUL BATTERY CHARGER LOCATED ON BACK WALL BEHIND DRIVER'S SEAT
5. BATTERY CHARGE INDICATOR LOCATED ON D.S. SEAT RISER
6. TWO AMOR LUMBAR H20 AY-9520-040 40.00" RED L.E.D. HOSE BED LIGHTS
7. ONE ADJUSTABLE FULL WIDTH/FULL DEPTH SHELF IN COMPARTMENT P1 & P2, TWO IN D1 & P3, THREE IN D3
8. ONE ADJUSTABLE TILTING SLIDE-OUT TRAY IN COMPARTMENT P3
9. ONE FLOOR MOUNTED SLIDE-OUT TRAY IN COMPARTMENT P1 & P3
10. ONE VERTICAL BOLT-IN PARTITION BETWEEN COMPARTMENTS D1/R1
11. ONE VERTICAL PARTITION IN COMPARTMENT D1
12. HORIZONTAL EQUIPMENT MOUNTING TRACKS IN COMPARTMENT D2
13. ONE HANNAY BOOSTER HOSE REEL MODEL EF34-23-24 WITH CAPACITY FOR 200' OF 1.00" BOOSTER HOSE IN COMPARTMENT R1

		JOB NO.	29843		
		SCALE	DATE		
CHASSIS DATA MAKE PIERCE MODEL ENFORCER	TITLE	1500-D-750P W/30G FOAM CELL, 189" LOW HOSEBED PUC (2)XLAYS, DELUGE, GENERATOR, HUSKY 12, ZICO LADDER	DRAWN BY	AMI	18APR16
	FOR	STERLING HEIGHTS FIRE DEPARTMENT STERLING HEIGHTS, MICHIGAN	CHECKED BY	KBO	18APR16
	DWG NO.	29843AD	SHEET SIZE	D	SHEET NO.