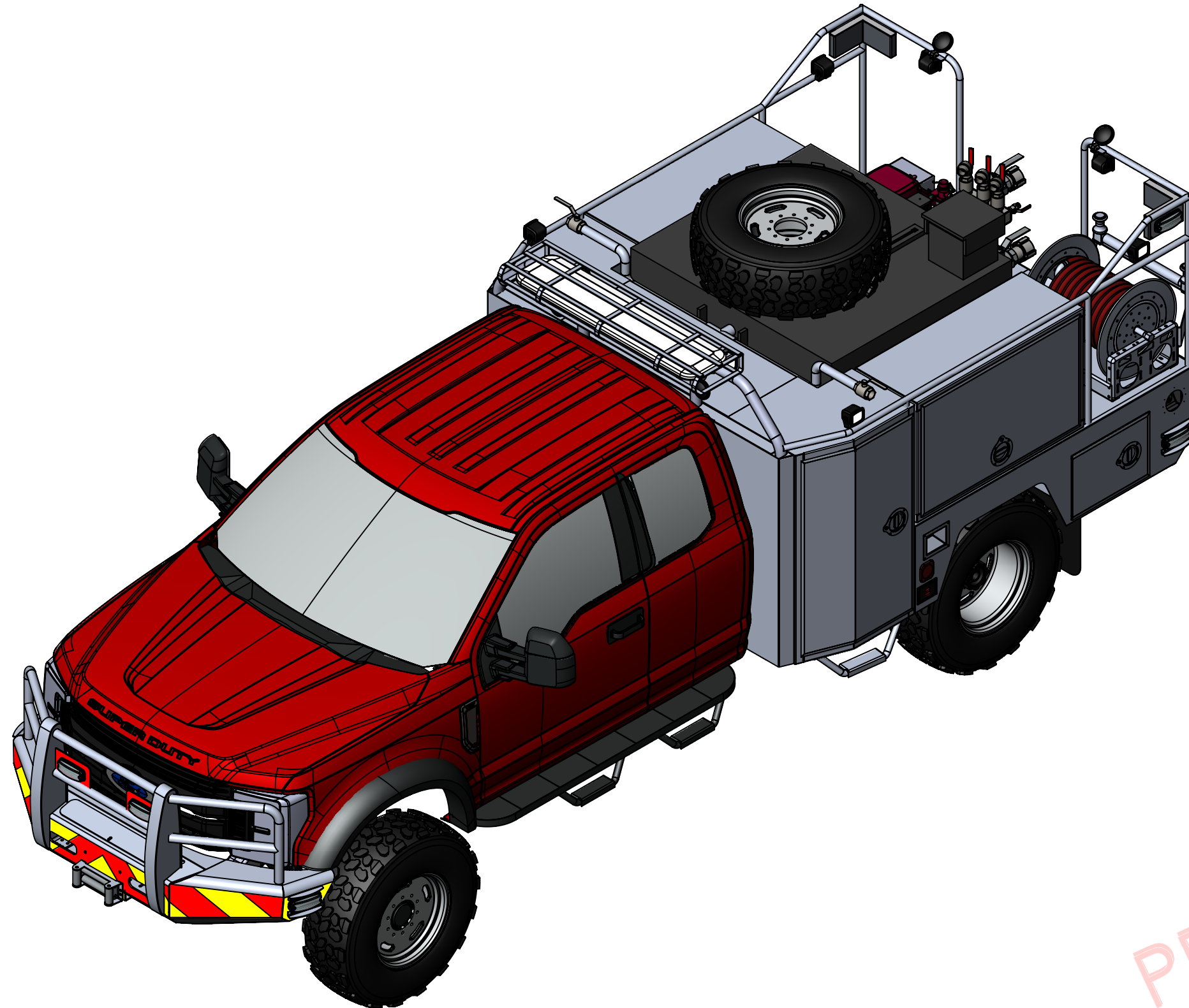


# HOMESTEAD TOWNSHIP FIRE DEPARTMENT'S NWCg TYPE 5 RESCUE SIDE WILDLAND ENGINE SKEETER BRUSH TRUCK



PRELIMINARY

PROPERTY OF  
**SKEETER BRUSH TRUCKS**

NOTE: DETAILS AND DIMENSIONS SHOWN ARE APPROXIMATE  
AND ARE SUBJECT TO MINOR DEVIATIONS AS MAY  
OCCUR OR BE NECESSARY IN CONSTRUCTION  
MINOR DETAILS NOT SHOWN

PREPARED FOR:

HOMESTEAD TOWNSHIP FD

DRAWN BY: RUSSELL L.

PRINT DATE: 7/20/2021

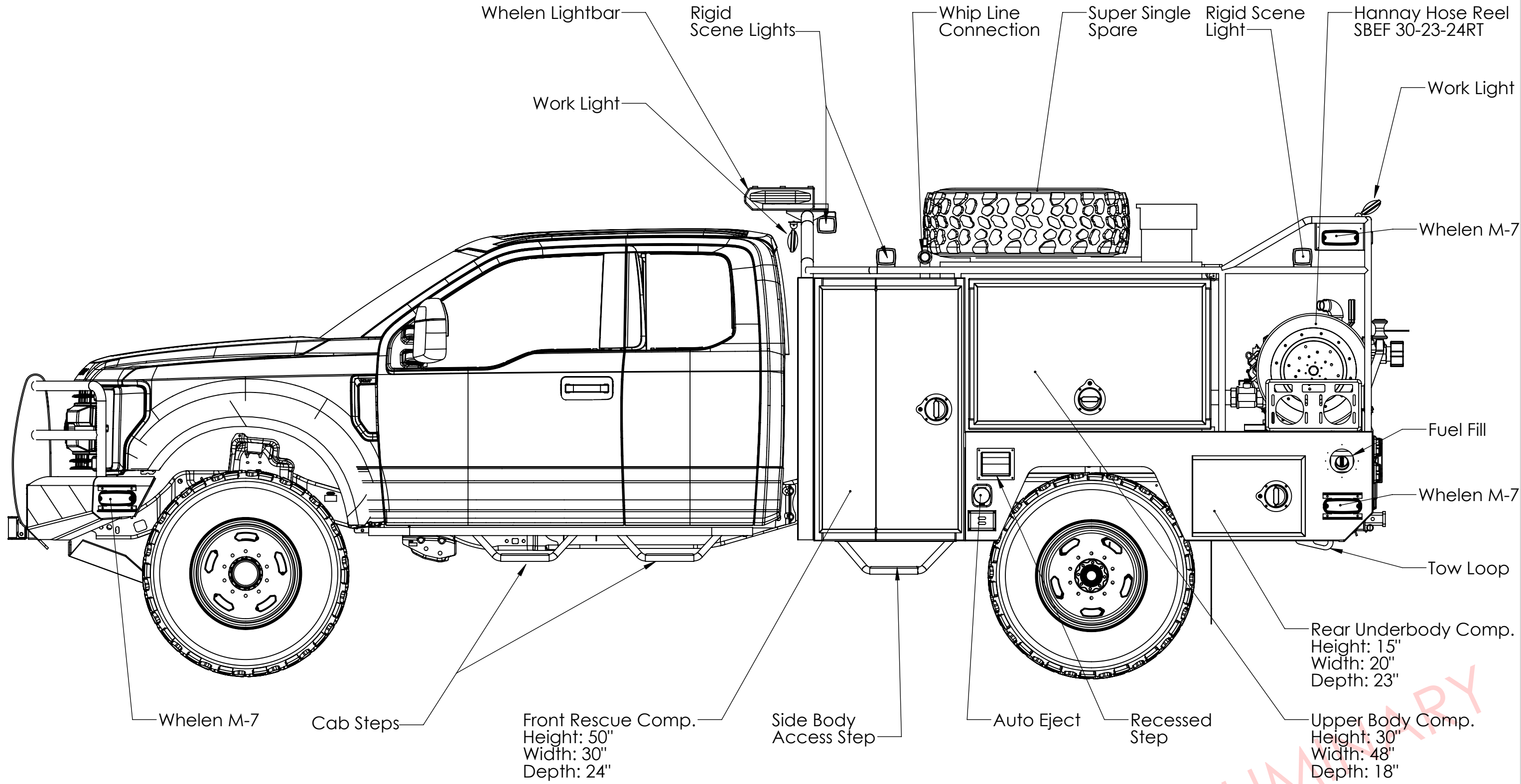
TITLE:

OVERVIEW

JOB NO. 14642

SHEET 1 OF 10





PROPERTY OF  
**SKEETER BRUSH TRUCKS**

NOTE: DETAILS AND DIMENSIONS SHOWN ARE APPROXIMATE  
 AND ARE SUBJECT TO MINOR DEVIATIONS AS MAY  
 OCCUR OR BE NECESSARY IN CONSTRUCTION  
 MINOR DETAILS NOT SHOWN

PREPARED FOR:

HOMESTEAD TOWNSHIP FD

DRAWN BY: RUSSELL L.

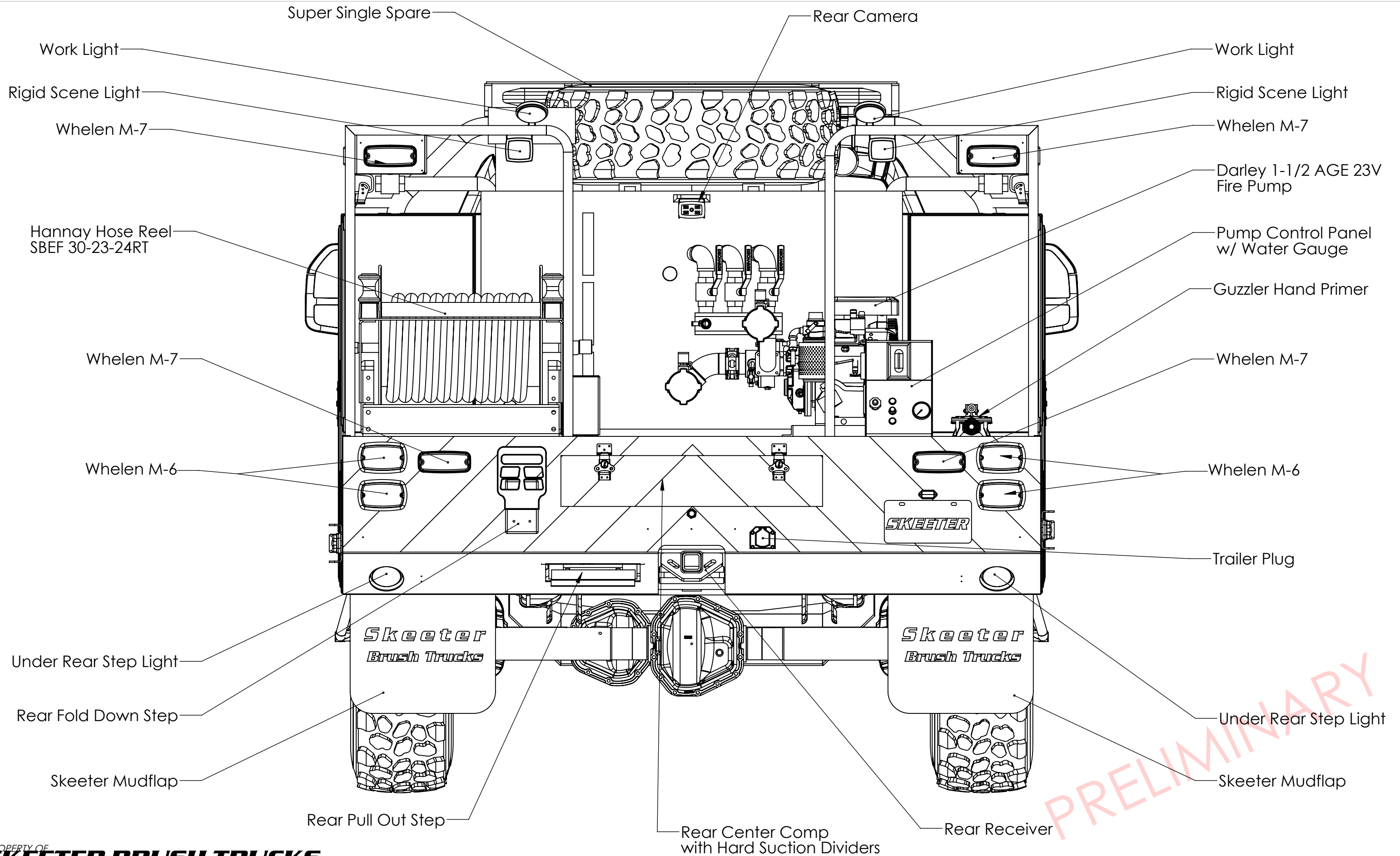
PRINT DATE: 7/20/2021

TITLE:

DRIVERS SIDE VIEW

JOB NO. 14642

SHEET 3 OF 10



PROPERTY OF  
**SKEETER BRUSH TRUCKS**

NOTE: DETAILS AND DIMENSIONS SHOWN ARE APPROXIMATE  
 AND ARE SUBJECT TO MINOR DEVIATIONS AS MAY  
 OCCUR OR BE NECESSARY IN CONSTRUCTION  
 MINOR DETAILS NOT SHOWN

PREPARED FOR:

HOMESTEAD TOWNSHIP FD

DRAWN BY: RUSSELL L.

PRINT DATE: 7/20/2021

TITLE:

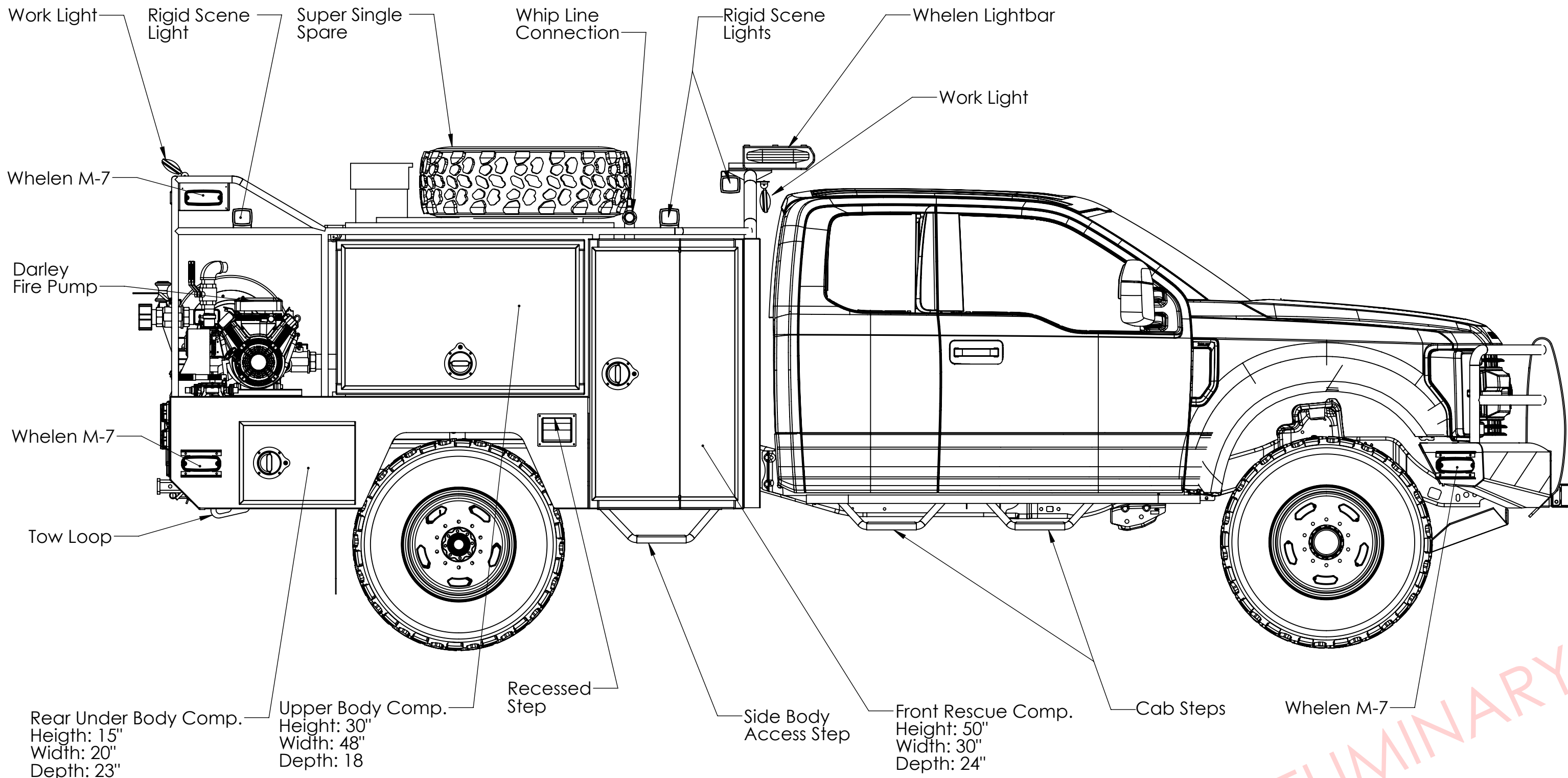
REAR VIEW

JOB NO. 14642

SHEET 4 OF 10

PRELIMINARY





Rear Under Body Comp.  
Height: 15"  
Width: 20"  
Depth: 23"

Upper Body Comp.  
Height: 30"  
Width: 48"  
Depth: 18

Front Rescue Comp.  
Height: 50"  
Width: 30"  
Depth: 24"

PRELIMINARY

PROPERTY OF  
**SKEETER BRUSH TRUCKS**

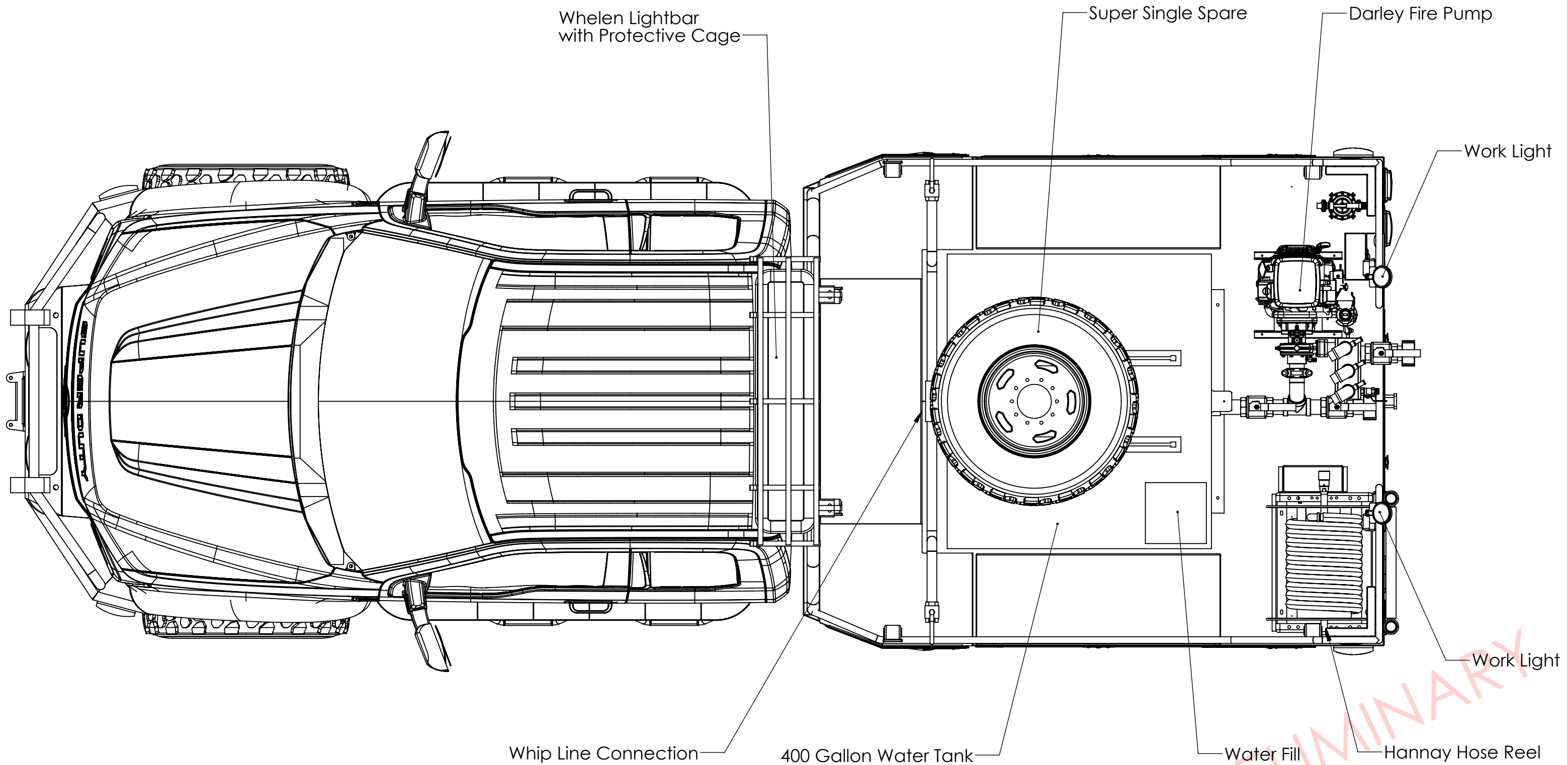
NOTE: DETAILS AND DIMENSIONS SHOWN ARE APPROXIMATE  
AND ARE SUBJECT TO MINOR DEVIATIONS AS MAY  
OCCUR OR BE NECESSARY IN CONSTRUCTION  
MINOR DETAILS NOT SHOWN

PREPARED FOR:  
HOMESTEAD TOWNSHIP FD

DRAWN BY: RUSSELL L.  
PRINT DATE: 7/20/2021

TITLE:  
PASSENGERS SIDE VIEW

JOB NO. 14642  
SHEET 5 OF 10



PRELIMINARY

PROPERTY OF  
**SKEETER BRUSH TRUCKS**

NOTE: DETAILS AND DIMENSIONS SHOWN ARE APPROXIMATE AND ARE SUBJECT TO MINOR DEVIATIONS AS MAY OCCUR OR BE NECESSARY IN CONSTRUCTION. MINOR DETAILS NOT SHOWN.

PREPARED FOR:

HOMESTEAD TOWNSHIP FD

DRAWN BY: RUSSELL L.

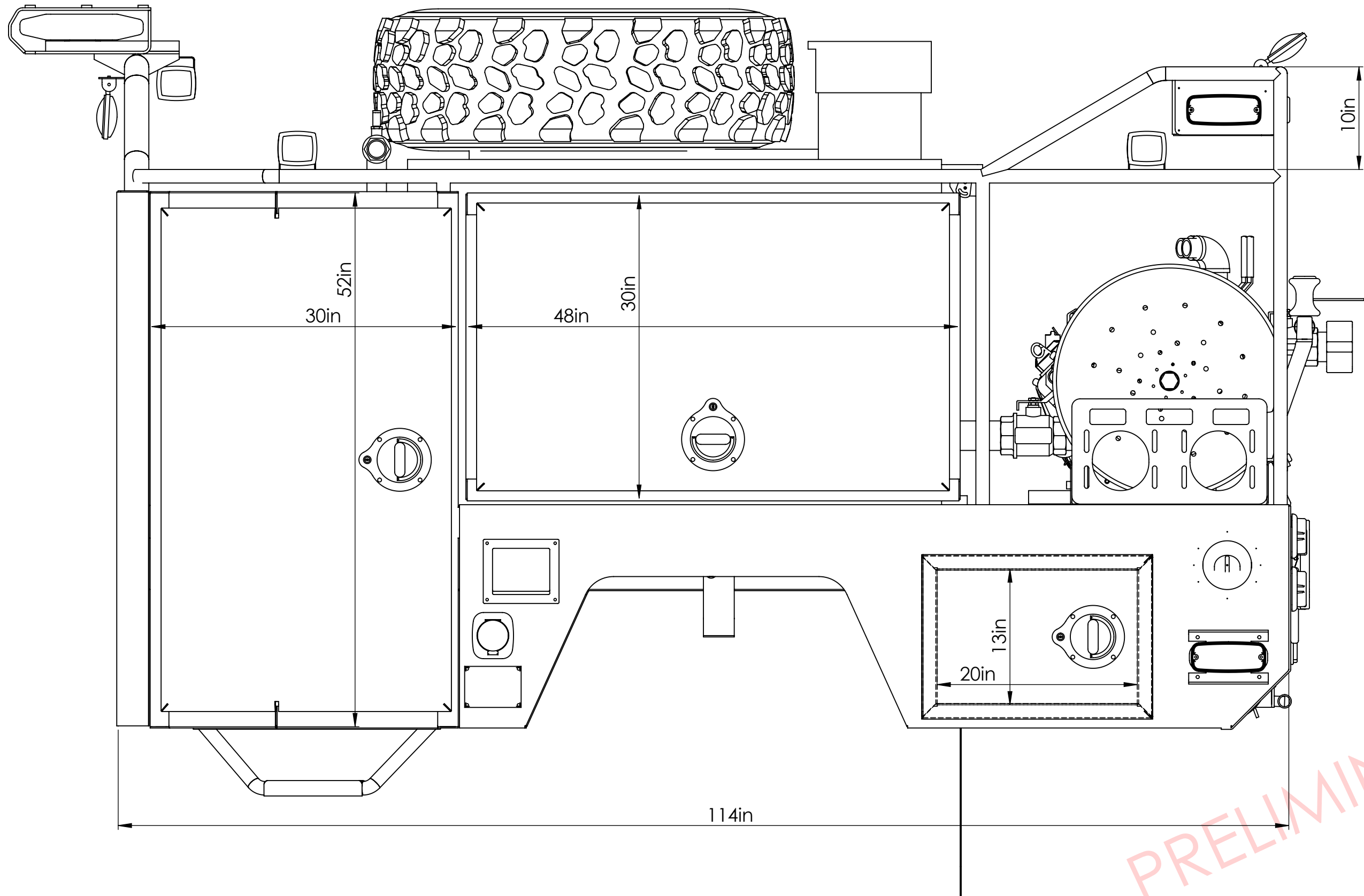
PRINT DATE: 7/20/2021

TITLE:

TOP VIEW

JOB NO. 14642

SHEET 6 OF 10



PROPERTY OF  
**SKEETER BRUSH TRUCKS**

NOTE: DETAILS AND DIMENSIONS SHOWN ARE APPROXIMATE  
 AND ARE SUBJECT TO MINOR DEVIATIONS AS MAY  
 OCCUR OR BE NECESSARY IN CONSTRUCTION  
 MINOR DETAILS NOT SHOWN

PREPARED FOR:

HOMESTEAD TOWNSHIP FD

DRAWN BY: RUSSELL L.

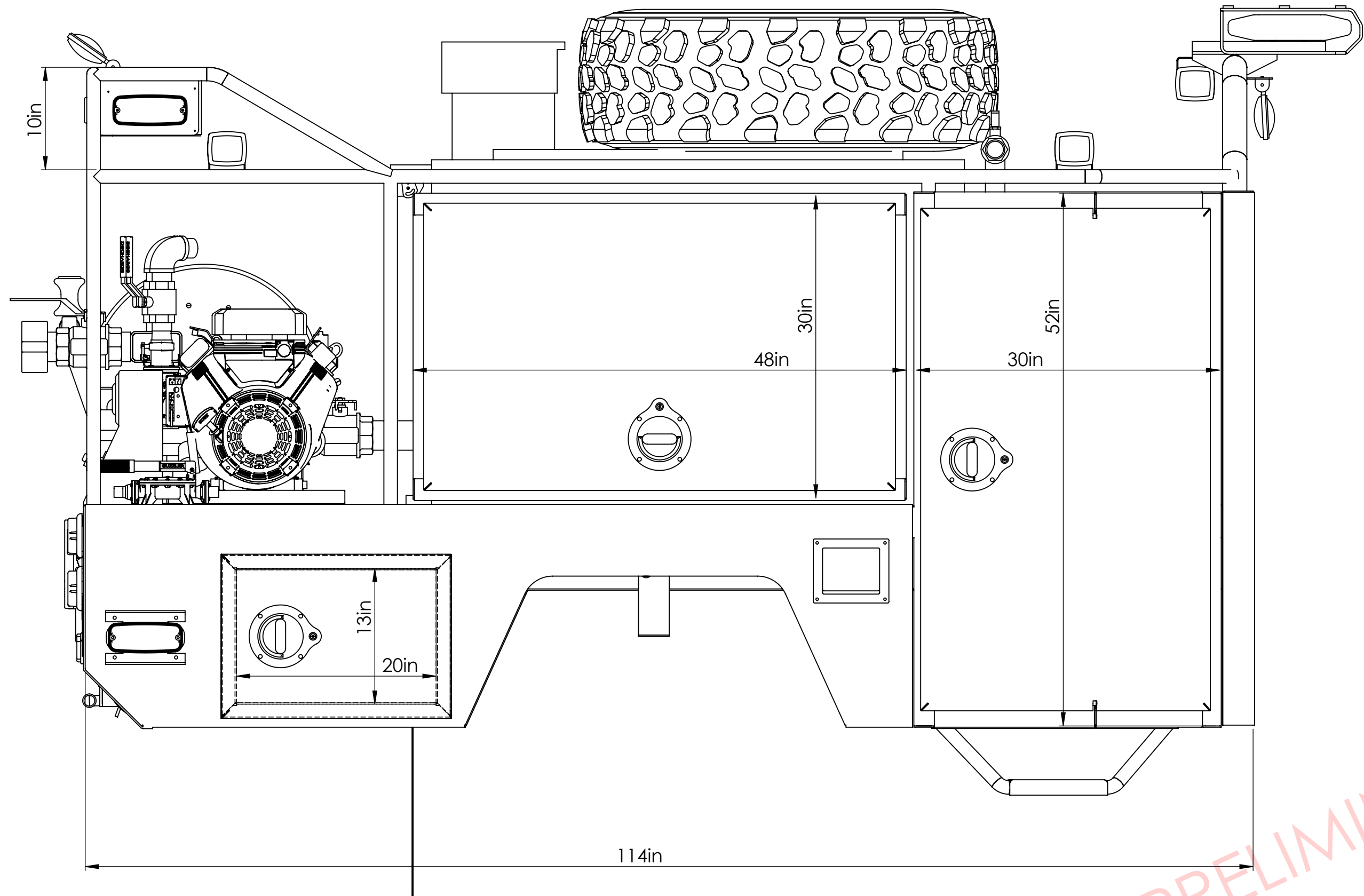
PRINT DATE: 7/20/2021

TITLE:

BED DRIVERS SIDE VIEW

JOB NO. 14642

SHEET 7 OF 10



PROPERTY OF  
**SKEETER BRUSH TRUCKS**

NOTE: DETAILS AND DIMENSIONS SHOWN ARE APPROXIMATE  
 AND ARE SUBJECT TO MINOR DEVIATIONS AS MAY  
 OCCUR OR BE NECESSARY IN CONSTRUCTION  
 MINOR DETAILS NOT SHOWN

PREPARED FOR:

HOMESTEAD TOWNSHIP FD

DRAWN BY: RUSSELL L.

PRINT DATE: 7/20/2021

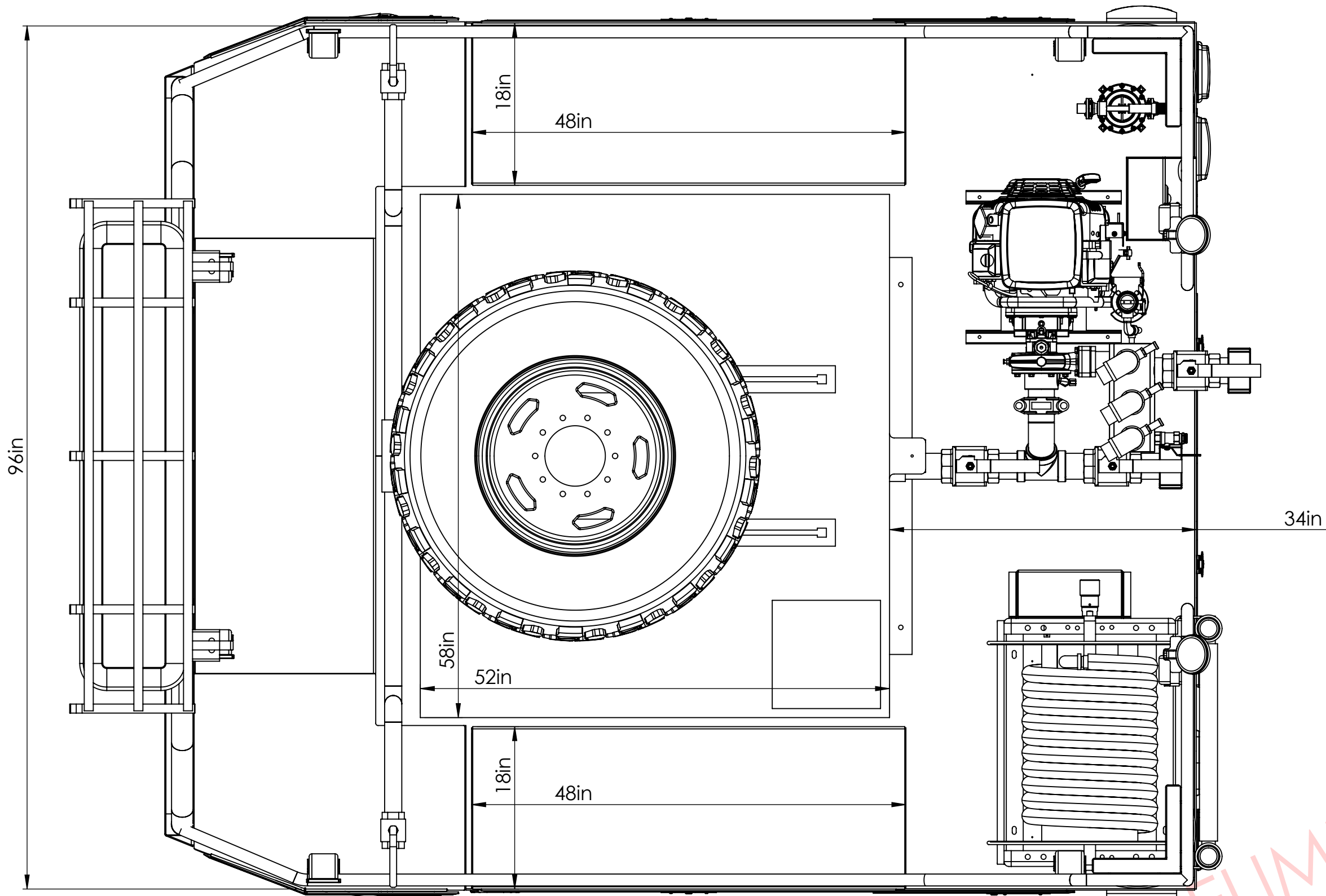
TITLE:

BED PASSENGERS SIDE VIEW

JOB NO. 14642

SHEET 8 OF 10





PRELIMINARY

PROPERTY OF  
**SKEETER BRUSH TRUCKS**

NOTE: DETAILS AND DIMENSIONS SHOWN ARE APPROXIMATE  
 AND ARE SUBJECT TO MINOR DEVIATIONS AS MAY  
 OCCUR OR BE NECESSARY IN CONSTRUCTION  
 MINOR DETAILS NOT SHOWN

PREPARED FOR:

HOMESTEAD TOWNSHIP FD

DRAWN BY: RUSSELL L.

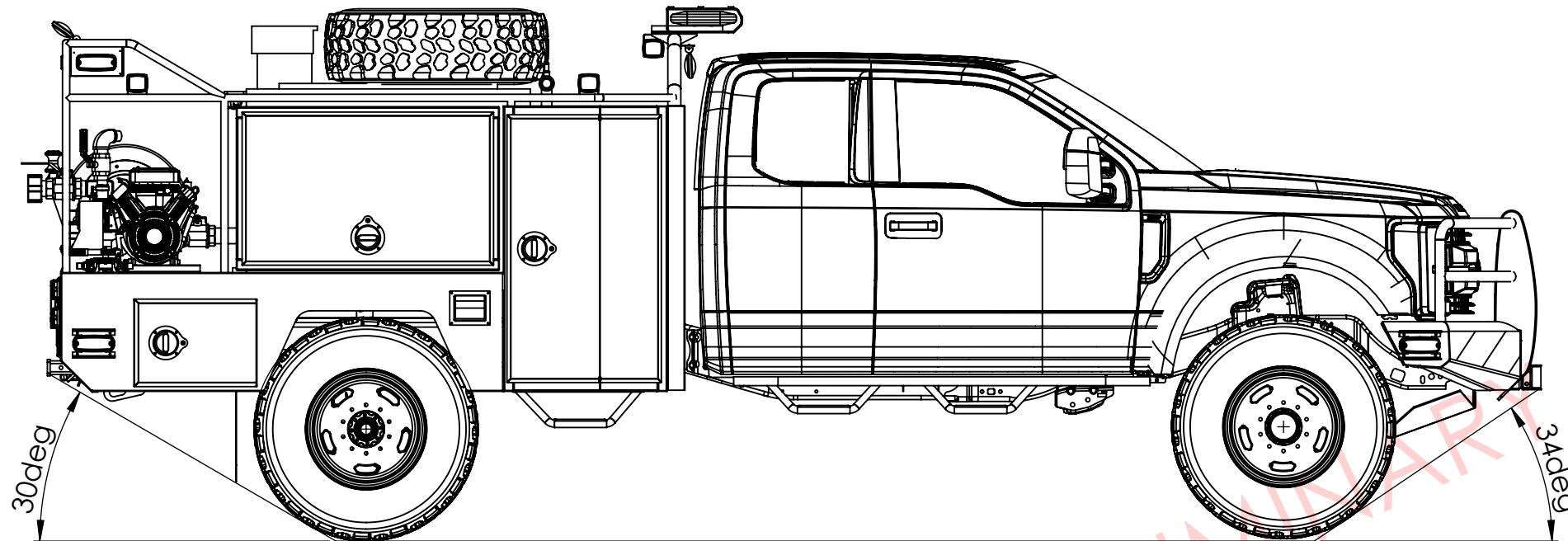
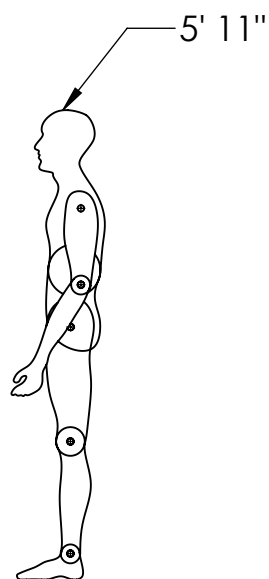
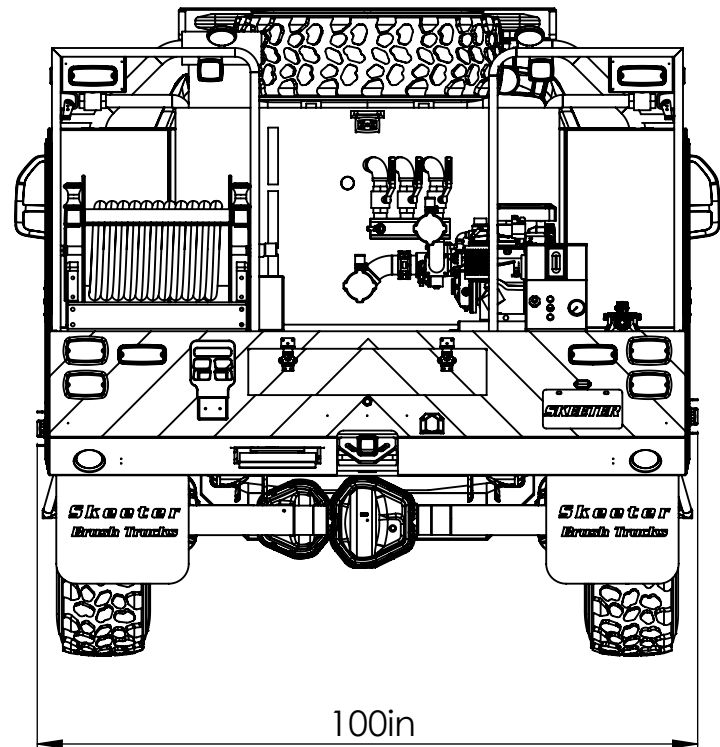
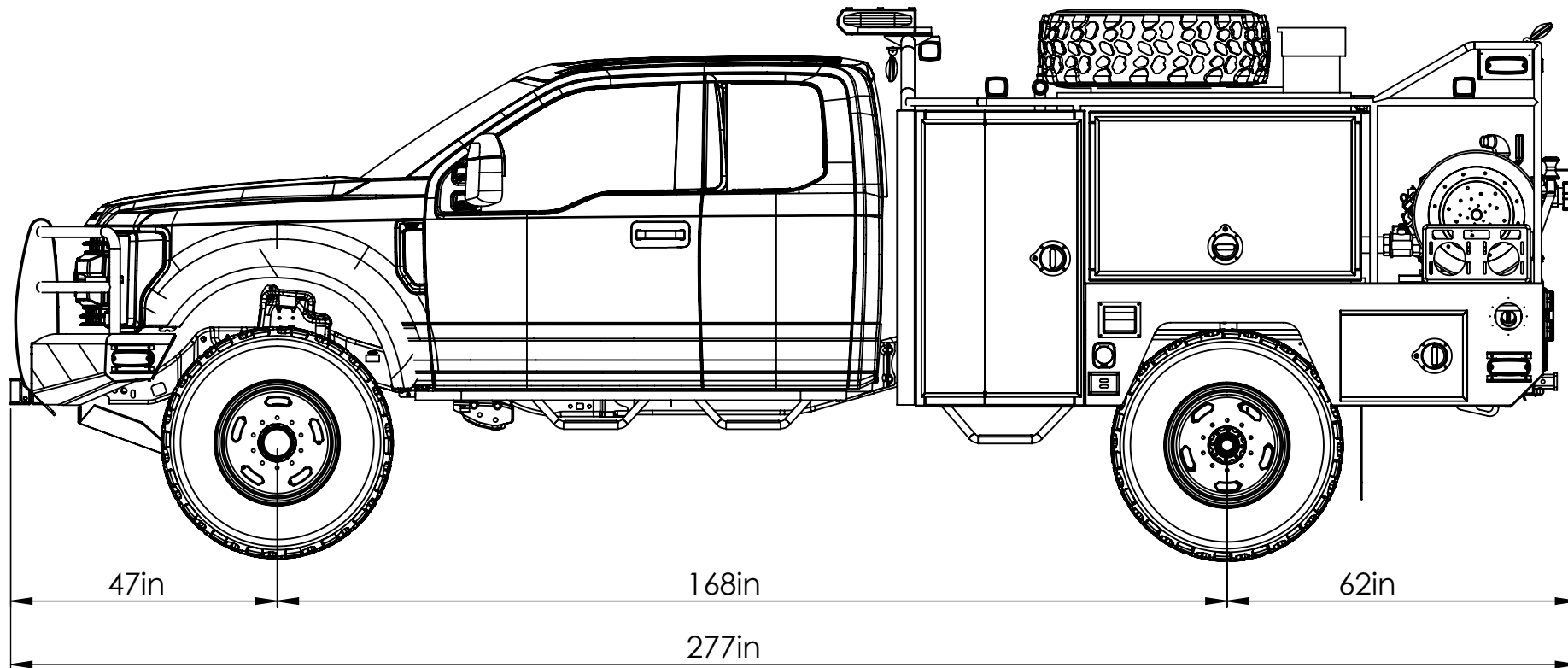
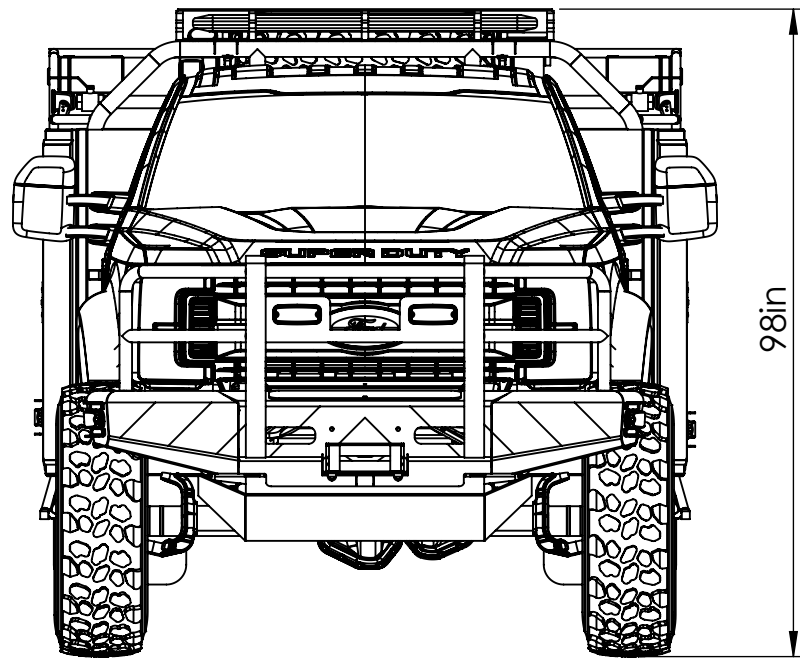
PRINT DATE: 7/20/2021

TITLE:

BED TOP VIEW

JOB NO. 14642

SHEET 9 OF 10



PRELIMINARY

PROPERTY OF  
**SKEETER BRUSH TRUCKS**

NOTE: DETAILS AND DIMENSIONS SHOWN ARE APPROXIMATE AND ARE SUBJECT TO MINOR DEVIATIONS AS MAY OCCUR OR BE NECESSARY IN CONSTRUCTION. MINOR DETAILS NOT SHOWN.

PREPARED FOR:

HOMESTEAD TOWNSHIP FD

DRAWN BY: RUSSELL L.

PRINT DATE: 7/20/2021

TITLE:

OVERALL DIMENSIONS

JOB NO. 14642

SHEET 10 OF 10